



## KEY FEATURES

- Professional LED downlight
- CCT Switchable 3000K-4000K-5700K
- UGR<22
- External LED driver
- Very quick and easy installation
- Serial connector
- Possible through-wiring
- Dimmable Fase/DALI
- IP54
- 5 year Pragmalux Warranty

IP54 IK06  650°<sub>GWT</sub> 107<sub>LM/W</sub>  CRI ≥80

**5** PRAGMALUX  
YEAR  
WARRANTY

## DETAILS



Pragmalux driver version



Reflector

## OPTIONS



## ACCESSORIES



Emergency Kit  
1000282



Black version



Side

## SPECIFICATIONS

ITEM CODE	DESCRIPTION	W	LM	LM/W	KELVIN	INPUT CURRENT	LIFETIME L80B10
1000343-PR-DIM	Downlight Spectre IP54 13W 3000K-5700K 3-CCT 1120-1310lm Ø145 Fase Dim. White	13	1120-1310	86-101	3000/4000/5700	0.07	50000
1000350-PR-DIM	Downlight Spectre IP54 18W 3000K-5700K 3-CCT 1800-1980lm Ø172 Fase Dim. White	18	1800-1980	100-110	3000/4000/5700	0.09	50000
1000367-PR-DIM	Downlight Spectre IP54 25W 3000K-5700K 3-CCT 2500-2750lm Ø228 Fase Dim. White	25	2500-2750	100-110	3000/4000/5700	0.12	50000
1000343-OS	Downlight Spectre IP54 10-14W 3000K-5700K 3-CCT 1050-1550lm Ø145 Osram White	10-14	1050-1550	100-110	3000/4000/5700	0.25-0.35	50000
1000350-OS	Downlight Spectre IP54 10-20W 3000K-5700K 3-CCT 1150-2200lm Ø172 Osram White	10-20	1150-2200	100-110	3000/4000/5700	0.25-0.50	50000
1000367-OS	Downlight Spectre IP54 10-20W 3000K-5700K 3-CCT 1150-2300lm Ø228 Osram White	10-20	1150-2300	100-115	3000/4000/5700	0.25-0.50	50000
1000343-PH-DA	Downlight Spectre IP54 14W 3000K-5700K 3-CCT 1450-1550lm Ø145 Philips DALI White	14	1450-1550	100-110	3000/4000/5700	0.35	50000
1000350-PH-DA	Downlight Spectre IP54 18W 3000K-5700K 3-CCT 2100-2200lm Ø172 Philips DALI White	18	2100-2200	100-110	3000/4000/5700	0.45	50000
1000367-PH-DA	Downlight Spectre IP54 20W 3000K-5700K 3-CCT 2200-2300lm Ø228 Philips DALI White	20	2200-2300	100-115	3000/4000/5700	0.50	50000
Z1000343-PR-DIM	Downlight Spectre IP54 13W 3000K-5700K 3-CCT 1120-1310lm Ø145 Fase Dim. Black	13	1120-1310	86-101	3000/4000/5700	0.07	50000
Z1000350-PR-DIM	Downlight Spectre IP54 18W 3000K-5700K 3-CCT 1800-1980lm Ø172 Fase Dim. Black	18	1800-1980	100-110	3000/4000/5700	0.09	50000
Z1000367-PR-DIM	Downlight Spectre IP54 25W 3000K-5700K 3-CCT 2500-2750lm Ø228 Fase Dim. Black	25	2500-2750	100-110	3000/4000/5700	0.12	50000
Z1000343-OS	Downlight Spectre IP54 10-14W 3000K-5700K 3-CCT 1050-1550lm Ø145 Osram Black	10-14	1050-1550	100-110	3000/4000/5700	0.25-0.35	50000
Z1000350-OS	Downlight Spectre IP54 10-20W 3000K-5700K 3-CCT 1150-2200lm Ø172 Osram Black	10-20	1150-2200	100-110	3000/4000/5700	0.25-0.50	50000
Z1000367-OS	Downlight Spectre IP54 10-20W 3000K-5700K 3-CCT 1150-2300lm Ø228 Osram Black	10-20	1150-2300	100-115	3000/4000/5700	0.25-0.50	50000
Z1000343-PH-DA	Downlight Spectre IP54 14W 3000K-5700K 3-CCT 1450-1550lm Ø145 Philips DALI Black	14	1450-1550	100-110	3000/4000/5700	0.35	50000
Z1000350-PH-DA	Downlight Spectre IP54 18W 3000K-5700K 3-CCT 2100-2200lm Ø172 Philips DALI Black	18	2100-2200	100-110	3000/4000/5700	0.45	50000
Z1000367-PH-DA	Downlight Spectre IP54 20W 3000K-5700K 3-CCT 2200-2300lm Ø228 Philips DALI Black	20	2200-2300	100-115	3000/4000/5700	0.50	50000

# SPECTRE IP54 CCT LED DOWNLIGHT

## TECHNICAL DATA

ELECTRICAL DATA	
Voltage (V)	220-240
Frequency (Hz)	50/60
Power factor (λ)	≥0.9
Operating mode	Integrated/External LED Driver
Electrical connection	Max 3x1,5 mm <sup>2</sup> wire
Total harmonic distortion	≤ 20 %

TEMPERATURES & OPERATING CONDITIONS	
Ambient temperature	25°C
Operating temperature	-20 ~ +40°C
Storage temperature	-40 ~ +65°C

COLORS & MATERIALS	
Color ( Housing)	White RAL9016
Material ( Housing)	PC
Material ( Reflector)	PC

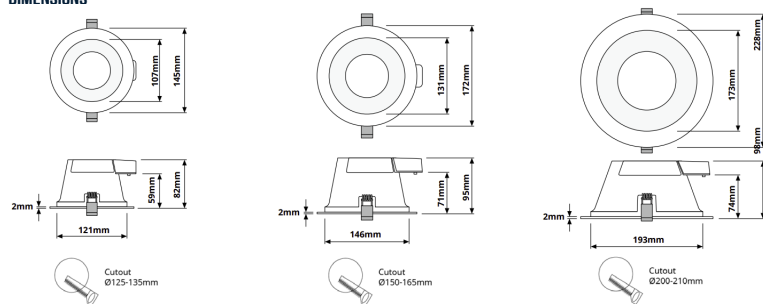
CERTIFICATES & STANDARDS	
Driver certificates	CE
Fixture certificates	CE
Ingress protection	IP54
Protection class	II
Protection class IK	06
Glow Wire Test ( IEC 695-2-1)	650°C
Photobiological safety group EN62778	RG0

CAPABILITIES	
UGR	≤22
Dimmable	No / Triac Dim / DALI
Type of connection	Push Terminal, 3-pole
LED Module replacable	No
Installation	CCT Switchable

ITEM CODE	DESCRIPTION	DRIVER FAILURE RATE AT 5,000H	INRUSH CURRENT IPEAK (A)	INRUSH CURRENT TWIDTH (μs)	MAX. NO. OF DRIVERS ON MCB TYPE B 10A	MAX. NO. OF DRIVERS ON MCB TYPE B 16A	MAX. NO. OF DRIVERS ON MCB TYPE C 10A	MAX. NO. OF DRIVERS ON MCB TYPE C 16A
1000343-PR-DIM	LED Downlight Spectre SR IP54 13W 3000K-5700K 3-CCT 1120-1310lm Ø145 Fase Dim.	≤1%	2.18	135	83	138	83	138
1000350-PR-DIM	LED Downlight Spectre SR IP54 18W 3000K-5700K 3-CCT 1800-1980lm Ø172 Fase Dim.	≤1%	3.06	224	48	76	48	76
1000367-PR-DIM	LED Downlight Spectre SR IP54 25W 3000K-5700K 3-CCT 2500-2750lm Ø228 Fase Dim.	≤1%	4.64	224	33	53	33	53
1000343-OS	LED Downlight Spectre SR IP54 10-14W 3000K-5700K 3-CCT 1050-1550lm Ø145 Osram	≤1%	<16	100	32	50	-	-
1000350-OS	LED Downlight Spectre SR IP54 10-20W 3000K-5700K 3-CCT 1150-2200lm Ø172 Osram	≤1%	<16	100	32	50	-	-
1000367-OS	LED Downlight Spectre SR IP54 10-20W 3000K-5700K 3-CCT 1150-2300lm Ø228 Osram	≤1%	<16	100	32	50	-	-
1000343-PH-DA	LED Downlight Spectre SR IP54 14W 3000K-5700K 3-CCT 1450-1550lm Ø145 Philips DALI	≤1%	20.4	195	15	24	24	40
1000350-PH-DA	LED Downlight Spectre SR IP54 18W 3000K-5700K 3-CCT 2100-2200lm Ø172 Philips DALI	≤1%	20.4	195	15	24	24	40
1000367-PH-DA	LED Downlight Spectre SR IP54 20W 3000K-5700K 3-CCT 2200-2300lm Ø228 Philips DALI	≤1%	20.4	195	15	24	24	40

## DIMENSIONS

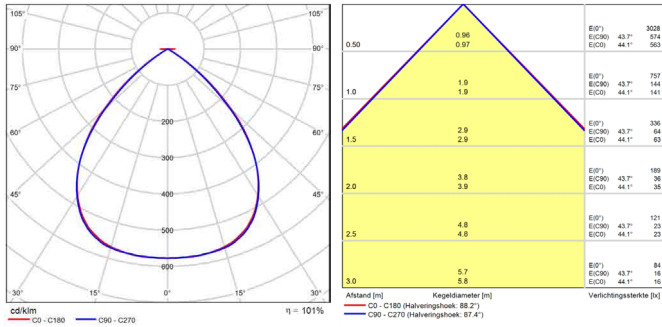


## PRAGMALUX

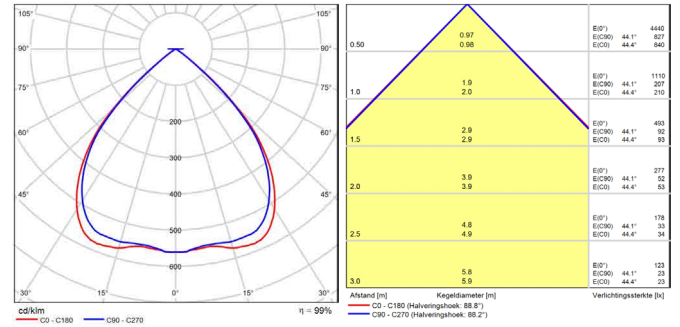
All rights reserved. Pragmalux - PDL Lighting Group B.V. retains the right to modify product specifications without any prior notice or obligation and does not assume any liability for any consequences of using this document. Subject to errors and printing errors. Luminous flux tolerance: +/- 10%. Power consumption tolerance: +/- 10%.

# SPECTRE IP54 CCT LED DOWNLIGHT

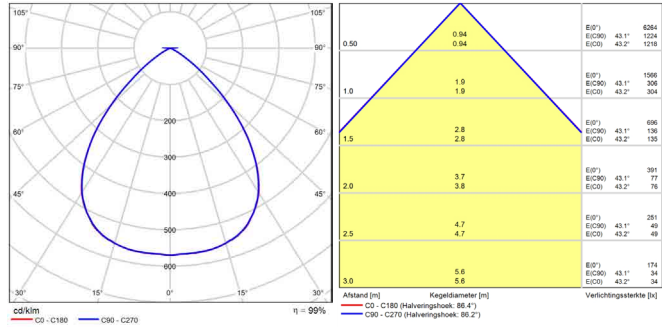
## PHOTOMETRIC SPECIFICATIONS LED DOWNLIGHT SPECTRE SR 13W



## LED DOWNLIGHT SPECTRE SR 18W



## LED DOWNLIGHT SPECTRE SR 25W



## EXTRA INFORMATION

	250mA			350mA			450mA			500mA		
	W	Im		W	Im		W	Im		W	Im	
		3000K 4000K 5700K		3000K 4000K 5700K		3000K 4000K 5700K		3000K 4000K 5700K		3000K 4000K 5700K		
1000343-OS	10	1050 1150 1150		14	1450 1550 1550		-	-	-	-	-	-
1000350-OS	10	1150 1150 1150		14	1550 1550 1550		18	1950 2000 1950		20	2150 2200 2100	
1000367-OS	10	1150 1200 1200		14	1600 1650 1650		18	2050 2100 2050		20	2200 2300 2250	



1	2	mA
OFF	OFF	250
OFF	ON	350
ON	OFF	450
ON	ON	500

## PROJECT

